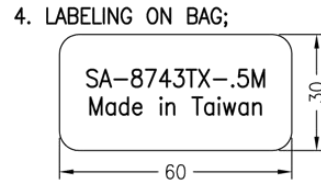
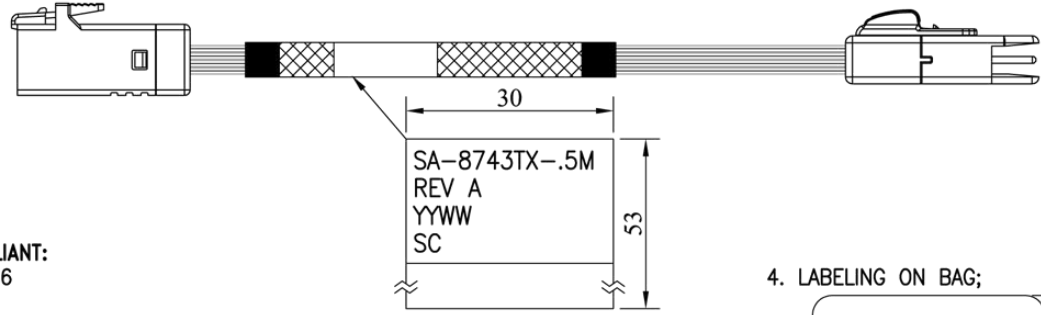
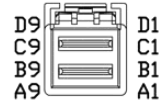
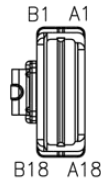
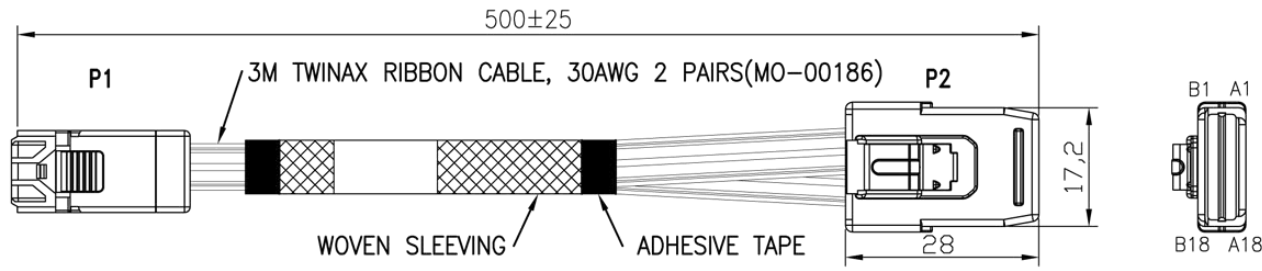


REV.	REMARK	DATE	SIGN.
◇	Add PCB number, REVISE PCB number	08/16/'12	Sino

RoHS



MATERIAL RoHS COMPLIANT:

- CABLE: MO-00186
ELECTRICAL:
DIFFERENTIAL IMPEDANCE TDR: 100±5 OHMS
CAPACITANCE: 50 pF/m TYPICAL.
SKEW(within the pair-3m sample): 10 ps/m max
COMPONENT:
CONDUCTOR: 30 AWG SOLID Sn PLATED COPPER ø0.254mm
DRAIN WIRE: 30 AWG SOLID Sn PLATED COPPER ø0.254mm
PAIRS:
TWO CONDUCTORS WIRES IN PARALLEL, TWO PAIRS, WITH TWO DRAINS
APPROVALS:
U.L. NO. E42769, STYLE AWM 21008, 150V 80°C
- CONNECTOR:
P1: Mini SAS HD 4i CABLE PLUG (SFF-8643)
◇ (1) P.C.B: 6 LAYERS, GOLD PLATING ON CONTACT PADS.(MPCB-060005LF / MPCB-060006LF)
(2) HOUSING: PBT, BLACK.
P2: Mini SAS 4i 36CKT CONNECTOR.(SFF-8087).
(1) HOOD: NYLON, UL94-V0.
◇ (2) P.C.B: 4 LAYERS, GOLD PLATING ON CONTACT PADS.(MPCB-040103LF)
(3) LATCH: STAINLESS.
(4) INTERNAL, WITHOUT SIDEBAND.
- FOR SAS 12.0 Gbps.

4. LABELING ON BAG;

WIRING DIAGRAM

HIGH SPEED SIGNAL			
P1(Mini SAS HD 4i Plug)		P2(Mini SAS 4i Plug)	
PIN	SIGNAL	PAD	SIGNAL
D4	TX0+	A2	RX0+
D5	TX0-	A3	RX0-
C4	TX1+	A5	RX1+
C5	TX1-	A6	RX1-
D7	TX2+	A13	RX2+
D8	TX2-	A14	RX2-
C7	TX3+	A16	RX3+
C8	TX3-	A17	RX3-
B4	RX0+	B2	TX0+
B5	RX0-	B3	TX0-
A4	RX1+	B5	TX1+
A5	RX1-	B6	TX1-
B7	RX2+	B13	TX2+
B8	RX2-	B14	TX2-
A7	RX3+	B16	TX3+
A8	RX3-	B17	TX3-
GND GROUP	GND	GND GROUP	GND
GND GROUP: A3,A6,A9,B3,B6,B9, C3,C6,C9,D3,D6,D9.		GND GROUP: A1,A4,A7,A12,A15,A18, B1,B4,B7,B12,B15,B18.	



DESC.	Mini SAS HD 4i/Mini SAS 4i CABLE ASS'Y	APPROVED	CHECKED	DESIGNED	TOLERANCE	SCALE	*	UNIT	mm	⌀
P/N	UASS-RC005543	CUSTOMER P/N	SA-8743TX-.5M	Sino		DATE	08/16/'12	DWG NO:	DWG\RC\5543	