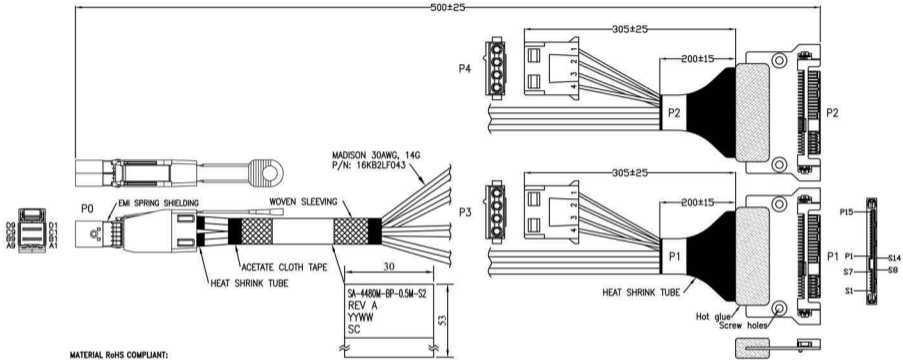


REV.	REMARK	DATE	SIGN.

RoHS

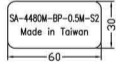


MATERIAL RoHS COMPLIANT:

- 1.CABLE:**
 CONDUCTOR: 30AWG SOLID SILVER PLATED COPPER.
 INSULATION: FOAM POLYOLEFIN.
 PAIR: 2 SINGLES LAID FLAT AND PARALLEL.
 PAIR DRAIN WIRE: 30AWG SOLID SILVER PLATED COPPER.
 PAIR SHIELD: ALUMINIUM/POLYESTER TAPE,
 ALUMINIUM SIDE FACING IN, 25% OVERLAP.
 INNER SHIELD: ALUMINIUM/POLYESTER TAPE,
 ALUMINIUM SIDE FACING OUT, 25% OVERLAP.
 DIFFERENTIAL IMPEDANCE: 100±5 OHMS @TDR
 UL LISTING: TYPE CL2 AS SPECIFIED IN ARTICLE 725
 OF THE NATIONAL ELECTRICAL CODE.

- 2.CONNECTOR:**
 (1) MINI SAS HD 4x CABLE PLUG (SFF-8644)
 (1) P.C.B: 4 LAYERS, GOLD PLATING ON CONTACT PADS, WITHOUT CARBON
 (P/N: MPCB-040091LF REV.E / SPCB-040092A)
 (2) LATCH: STAINLESS STEEL
 (3) BACKSHELL- ZINC DIE CASTING HOOD/ NICKEL PLATING
 (4) PULL TAB: NYLON UL94V-0, COLOR: BLUE.
 (5) EMI SPRING SHIELDING
 P1,P2: SAS DRIVE R/A SMT PLUG (SFF-8680)(MO-00236)
 (1) P.C.B: MPCB-040137LF(MO-00237)
 P3,P4: 4 POSITION DC POWER REC.
 POWER CABLE: UL 1007 18AWG 80°C 300V
 3.FOR SAS 12.0 Gbps.
 4.TWO-WIRED SERIAL MEMORY: ATMEL AT24C02B EEPROM (256 BYTES).

5.LABELING ON BAG:

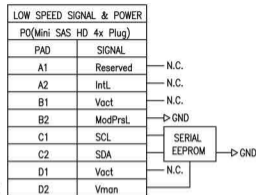
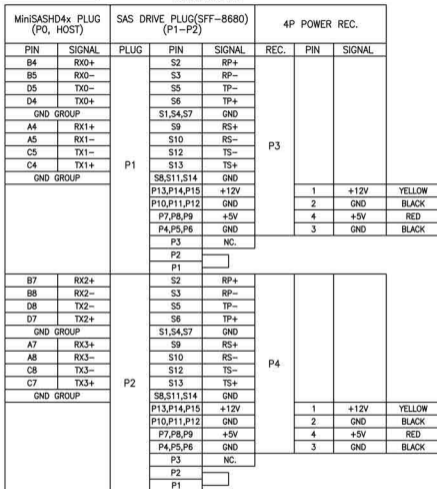


DESC.	Mini SAS HD 4x TO 2*SAS DRIVE R/A SMT PLUG WITH POWER CABLE ASSY	APPROVED	CHECKED	DESIGNED	TOLERANCE	SCALE	*	UNIT	mm	
P/N	B-4911	CUSTOMER P/N	SA-4480M-BP-0.5M-S2	Sino		DATE	10/02/14	DWG NO:	DWG\B\4911	

1 2 3 4 5 6 7 8 9

REV.	REMARK	DATE	SIGN.

WIRING DIAGRAM



P0 GND GROUP:
A3,A6,A9,B3,B6,B9,
C3,C6,C9,D3,D6,D9.



DESC.	Mini SAS HD 4x TO 2*SAS DRIVE R/A SMT PLUG WITH POWER CABLE ASSY	APPROVED	CHECKED	DESIGNED	TOLERANCE	SCALE	*	UNIT	mm		
P/N	B-4911	CUSTOMER P/N		Sino		DATE	10/02/14	DWG NO:	DWG\B\4911		

1 2 3 4 5 6 7 8 9