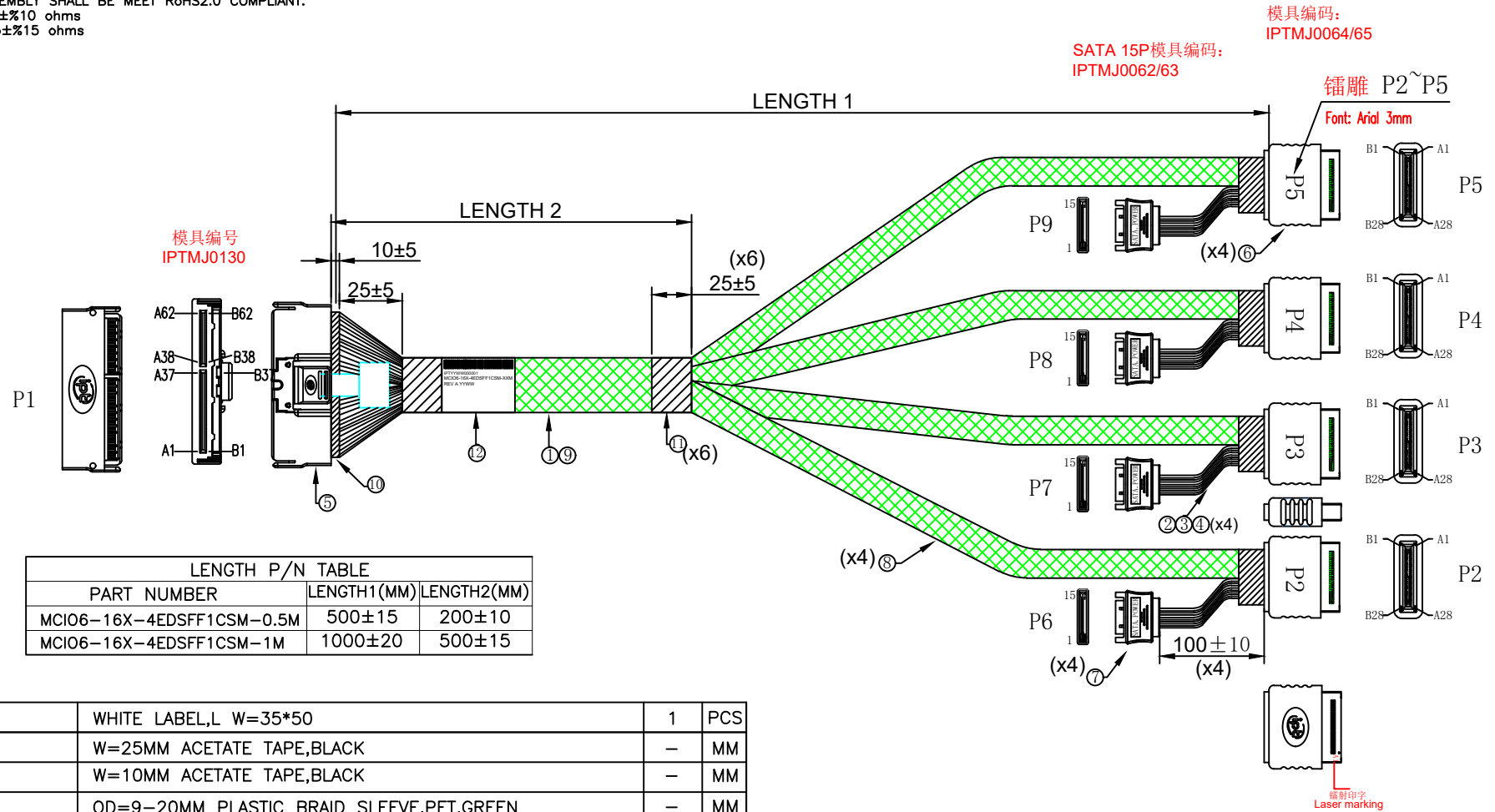


TEST CONDITIONS:
 1.100% OPEN & SHORT & MISS-WIRING&INTERMITTENCE TEST.
 2.CONDUCTIVE RESISTANCE: 750milliOhm MAX.
 3.INSULATION RESISTANCE: 10 MΩ .
 4.HI-POT TEST: 300VDC FOR 10ms.
 5.THIS PRODUCT MEETS PCIE 6.0
 6.THE CABLE ASSEMBLY SHALL BE MEET RoHS2.0 COMPLIANT.
 7.RAW CABLE: 85±%10 ohms
 MATED AREA: 85±%15 ohms

DATE	DESCRIPTION OF CHANGE	DRAWING	REV
2025-11-11	XXXXXX	Row Ling	A



PART NUMBER	LENGTH1(MM)	LENGTH2(MM)
MCI06-16X-4EDSFF1CSM-0.5M	500±15	200±10
MCI06-16X-4EDSFF1CSM-1M	1000±20	500±15

②	LABEL	WHITE LABEL,L W=35*50	1	PCS	
①	TAPE	W=25MM ACETATE TAPE,BLACK	-	MM	
⑩	TAPE	W=10MM ACETATE TAPE,BLACK	-	MM	
⑨	WEAVE	OD=9-20MM PLASTIC BRAID SLEEVE,PET,GREEN	-	MM	
⑧	WEAVE	OD=5-12MM PLASTIC BRAID SLEEVE,PET,GREEN	-	MM	
⑦	CONN	SATA15P MALE HEAD ON BOTH SIDES WIDE LUG /F	4	PCS	
⑥	CONN	SFF-1002 1C 56PIN	4	PCS	
⑤	CONN	SFF-1016 MCI0 16X 124PIN	1	SET	
④	WIRE	UL1007 18AWG TS -LF- 01	-	MM	
③	WIRE	UL1007 24AWG TS -LF- 01	-	MM	
②	WIRE	UL1061 30AWG TS -LF-00	-	MM	
①	CABLE	SAS 29AWG 85Ω HF (P06S52901)	-	MM	
NO.	NAME	IPT NO.	DESCRIPTION	Q'TY	UNIT

TITLE	MCI0 x16 to x4 EDSFF1C SATA 15P powe					SHEET	1/3
CUSTOMER		CUSTOMER P/N	MCI06-16X-4EDSFF1CSM-XXM	DRAWING	Row Ling		
DWG NO.	WIPT20251111001	UNIT	SCALE	REV	VIEW	CHECKED	Kane Yu
TERMINAL P/N		mm	NONE	A	APPROVAL	Fliex Liu	



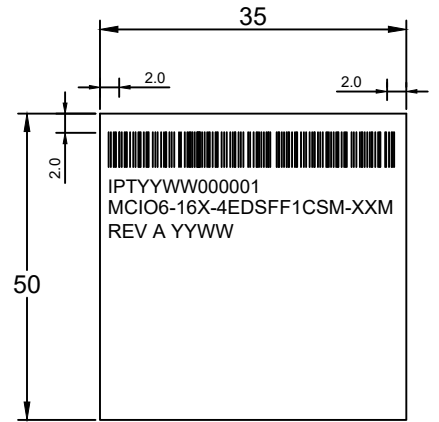
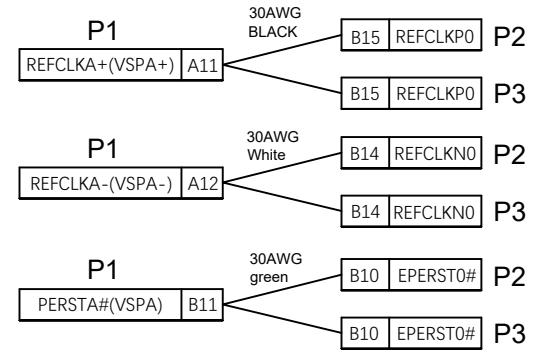
镭射印字
Laser marking

DATE	DESCRIPTION OF CHANGE	DRAWING	REV
	SEE PAGE ONE	Row Ling	

wiring diagram

P1		P2	
GND	A1	A19	GND
PERp0	A2	A18	PERp0
PERn0	A3	A17	PERn0
GND	A4	A16/A22	GND
PERp1	A5	A21	PERp1
PERn1	A6	A20	PERn1
GND	A7	A19/A16	GND
BP_TYPEA(VSPA)	A8	A15	REFCLKP1
CWAKEA#OBFFA(VSPA)	A9	A14	REFCLKN1
GND	A10	A13/B16	GND
GND	A13	B13/A25	GND
PERp2	A14	A24	PERp2
PERn2	A15	A23	PERn2
GND	A16	A22/A28	GND
PERp3	A17	A27	PERp3
PERn3	A18	A26	PERn3
GND	A19	A25	GND
GND	B1	B19	GND
PETp0	B2	B18	PETp0
PETn0	B3	B17	PETn0
GND	B4	B16/B22	GND
PETp1	B5	B21	PETp1
PETn1	B6	B20	PETn1
GND	B7	B19	GND
2W-CLKA	B8	A7	SMCLK
2W-DATAA	B9	A8	SMDAT
GND	B10		
CPRSNTA#(VSPA)	B12	A11	PERSNT0#
GND	B13	B25	GND
PETp2	B14	B24	PETp2
PETn2	B15	B23	PETn2
GND	B16	B22/B28	GND
PETp3	B17	B27	PETp3
PETn3	B18	B26	PETn3
GND	B19	B25/B13	GND
		B12	PWRDIS

P1		P3	
GND	A19	A19	GND
PERp4	A20	A18	PERp0
PERn4	A21	A17	PERn0
GND	A22	A16/A22	GND
PERp5	A23	A21	PERp1
PERn5	A24	A20	PERn1
GND	A25	A19/A16	GND
BP_TYPEB(VSPB)	A26	A15	REFCLKP1
CWAKEB#OBFFB(VSPB)	A27	A14	REFCLKN1
GND	A28	A13/B16	GND
GND	A31	B13/A25	GND
PERp6	A32	A24	PERp2
PERn6	A33	A23	PERn2
GND	A34	A22/A28	GND
PERp7	A35	A27	PERp3
PERn7	A36	A26	PERn3
GND	A37	A25	GND
GND	B19	B19	GND
PETp4	B20	B18	PETp0
PETn4	B21	B17	PETn0
GND	B22	B16/B22	GND
PETp5	B23	B21	PETp1
PETn5	B24	B20	PETn1
GND	B25	B19	GND
2W-CLKB	B26	A7	SMCLK
2W-DATAB	B27	A8	SMDAT
GND	B28		
CPRSNTA#(VSPA)	B30	A11	PERSNT0#
GND	B31	B25	GND
PETp6	B32	B24	PETp2
PETn6	B33	B23	PETn2
GND	B34	B22/B28	GND
PETp7	B35	B27	PETp3
PETn7	B36	B26	PETn3
GND	B37	B25/B13	GND
		B12	PWRDIS



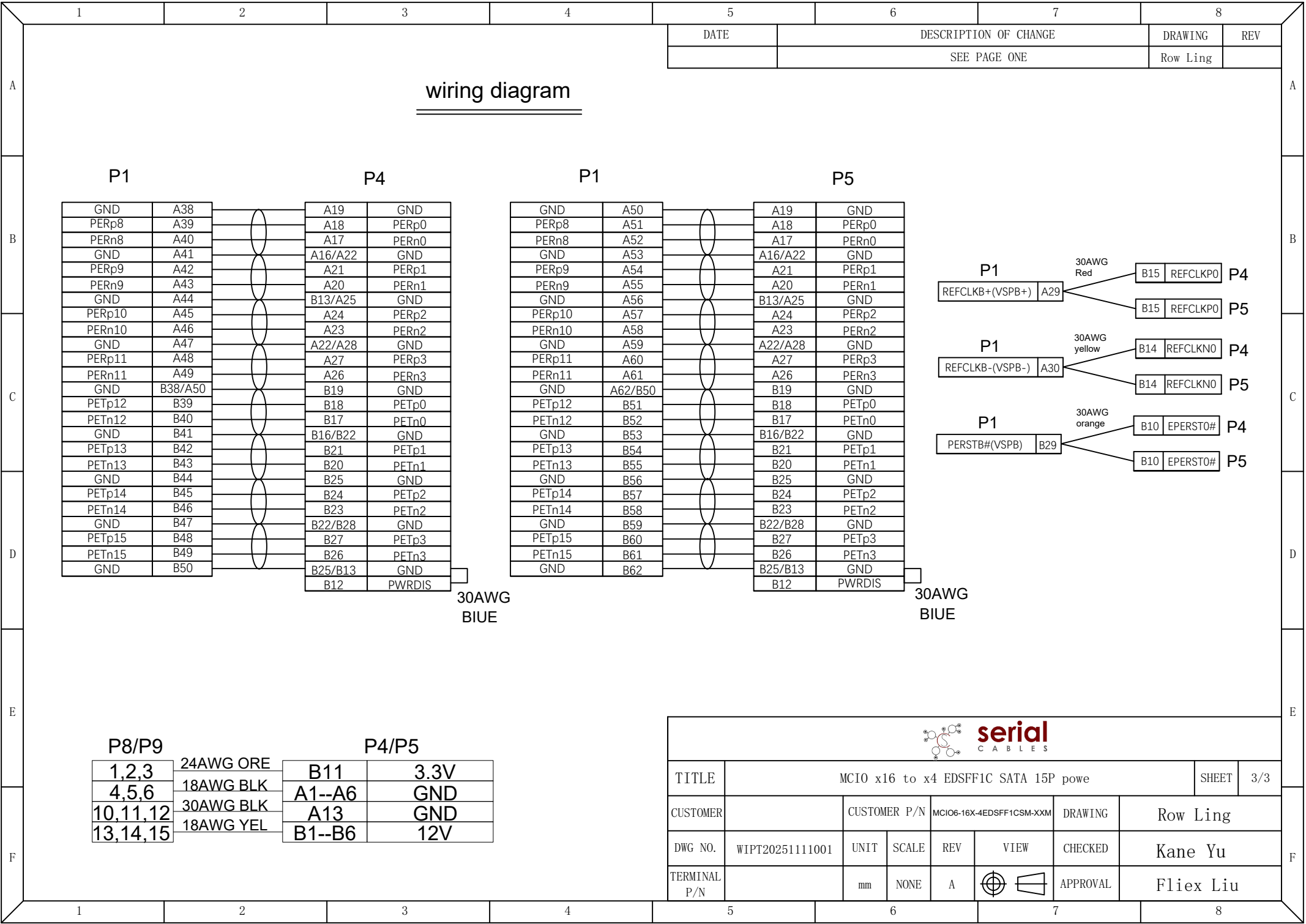
文字类型: Arial 高度: 2.0MM min
条码和文字距边最少2.0mm.

30AWG
BIUE

30AWG
BIUE

P6/P7	24AWG ORE	P2/P3	
1,2,3		B11	3.3V
4,5,6	18AWG BLK	A1--A6	GND
10,11,12	30AWG BLK	A13	GND
13,14,15	18AWG YEL	B1--B6	12V

TITLE	MCIO x16 to x4 EDSFF1C SATA 15P powe					SHEET	2/3
CUSTOMER		CUSTOMER P/N	MCIO6-16X-4EDSFF1CSM-XXM	DRAWING	Row Ling		
DWG NO.	WIPT20251111001	UNIT	SCALE	REV	VIEW	CHECKED	Kane Yu
TERMINAL P/N		mm	NONE	A		APPROVAL	Fliex Liu



wiring diagram

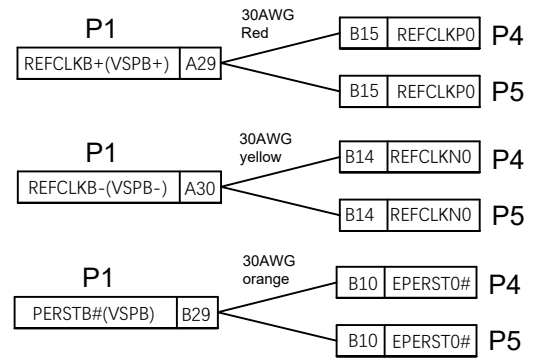
DATE	DESCRIPTION OF CHANGE	DRAWING	REV
	SEE PAGE ONE	Row Ling	

P1		P4	
GND	A38	A19	GND
PERp8	A39	A18	PERp0
PERn8	A40	A17	PERn0
GND	A41	A16/A22	GND
PERp9	A42	A21	PERp1
PERn9	A43	A20	PERn1
GND	A44	B13/A25	GND
PERp10	A45	A24	PERp2
PERn10	A46	A23	PERn2
GND	A47	A22/A28	GND
PERp11	A48	A27	PERp3
PERn11	A49	A26	PERn3
GND	B38/A50	B19	GND
PETp12	B39	B18	PETp0
PETn12	B40	B17	PETn0
GND	B41	B16/B22	GND
PETp13	B42	B21	PETp1
PETn13	B43	B20	PETn1
GND	B44	B25	GND
PETp14	B45	B24	PETp2
PETn14	B46	B23	PETn2
GND	B47	B22/B28	GND
PETp15	B48	B27	PETp3
PETn15	B49	B26	PETn3
GND	B50	B25/B13	GND
		B12	PWRDIS

30AWG
BIUE

P1		P5	
GND	A50	A19	GND
PERp8	A51	A18	PERp0
PERn8	A52	A17	PERn0
GND	A53	A16/A22	GND
PERp9	A54	A21	PERp1
PERn9	A55	A20	PERn1
GND	A56	B13/A25	GND
PERp10	A57	A24	PERp2
PERn10	A58	A23	PERn2
GND	A59	A22/A28	GND
PERp11	A60	A27	PERp3
PERn11	A61	A26	PERn3
GND	A62/B50	B19	GND
PETp12	B51	B18	PETp0
PETn12	B52	B17	PETn0
GND	B53	B16/B22	GND
PETp13	B54	B21	PETp1
PETn13	B55	B20	PETn1
GND	B56	B25	GND
PETp14	B57	B24	PETp2
PETn14	B58	B23	PETn2
GND	B59	B22/B28	GND
PETp15	B60	B27	PETp3
PETn15	B61	B26	PETn3
GND	B62	B25/B13	GND
		B12	PWRDIS

30AWG
BIUE



P8/P9		P4/P5	
1,2,3	24AWG ORE	B11	3.3V
4,5,6	18AWG BLK	A1--A6	GND
10,11,12	30AWG BLK	A13	GND
13,14,15	18AWG YEL	B1--B6	12V

TITLE	MCI0 x16 to x4 EDSFF1C SATA 15P powe						SHEET	3/3
CUSTOMER		CUSTOMER P/N	MCI06-16X-4EDSFF1CSM-XXM	DRAWING	Row Ling			
DWG NO.	WIPT20251111001	UNIT	SCALE	REV	VIEW	CHECKED	Kane Yu	
TERMINAL P/N		mm	NONE	A		APPROVAL	Fliex Liu	