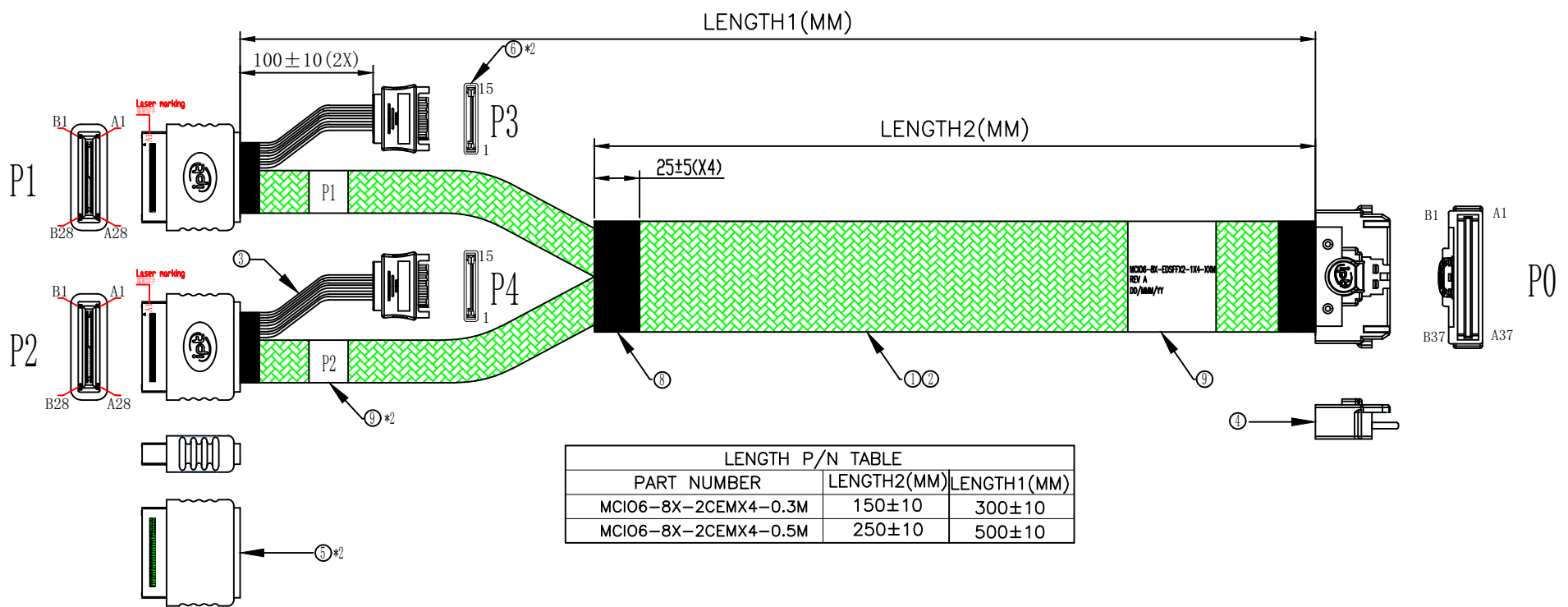


5	DATE	DESCRIPTION OF CHANGE	REV
	2024-04-25	XXXX	A



PART NUMBER	LENGTH2(MM)	LENGTH1(MM)
MCIO6-8X-2CEMX4-0.3M	150±10	300±10
MCIO6-8X-2CEMX4-0.5M	250±10	500±10

NOTE:
 1.ELECTRICAL PERFORMANCE SHOULD MEET THE **PCIE GEN6** CABLE SPEC.
 2.THE CABLE ASSEMBLY SHALL MEET BELOW IMPEDANCE REQUIREMENT:
 TERMINATION AREA:85±15% OHMS,CABLE ABSOLUTE AREA:85±10% OHMS.
 3.THE CABLE ASSEMBLY SHALL BE ROHS2.0 COMPLIANT.
 4.THE MARKING ON THIS PRODUCT DOESN'T CONTAIN ENVIRONMENTAL HAZARDOUS MATERIALS PER DIRECTIVE 2011/65/EU FOR ROHS COMPLIANCE.

⑩	LABEL	WHITE LABEL,L W=10*30 P1 or P2	2	PCS	
⑨	LABEL	WHITE LABEL,L W=40*40	1	PCS	
⑧	ACETATE TAPE	W=25MM ACETATE TAPE,BLACK	-	MM	
⑦	WEAVE	W=12MM PLASTIC BRAID SLEEVE,PET,GREEN	-	MM	
⑥	CONN	SATA15P MALE HEAD ON BOTH SIDES WIDE LUG /F	2	PCS	
⑤	CONN	SFF-1002 1C 56PIN	2	PCS	
④	CONN	SFF-1016 MCIO 8X 74PIN	1	PCS	
③	CABLE	UL1007 18AWG BLACK ELECTRONIC CABLE	-	MM	
②	CABLE	UL1061 30AWG YELLOW ELECTRONIC WIRE	-	MM	
①	CABLE	SAS 29AWG 85Ω HF (P06S52901)	-	MM	
NO.	NAME	IPT NO.	DESCRIPTION	Q'TY	UNIT



TITLE	MCIOx8 to 1C EDSFF 56P Receptacle Gen6 Cable				SHEET	1/2
CUSTOMER		CUSTOMER P/N	MCIO6-8X-EDSFFX2-1X4-XXM	DRAWING	WangPan	
DWG NO.	WIPT20240426007	UNIT	SCALE	REV	VIEW	CHECKED
TERMINAL P/N		mm	NONE	A		APPROVAL

lupeng

DATE	DESCRIPTION OF CHANGE	REV
2024-04-25	XXXX	A

LABEL INFORMATION

GND	A1	A19	GND
PERp0	A2	A18	PERp0
PERn0	A3	A17	PERn0
GND	A4	A16/A22	GND
PERp1	A5	A21	PERp1
PERn1	A6	A20	PERn1
GND	A7	A19/A16	GND
BP_TYPEA(VSPA)	A8	A15	REFCLKp1
CWAKEA#_DBFFA(VSPA)	A9	A14	REFCLKn1
GND	A10	A13/B16	GND
REFCLKA+(VSPA+)	A11	B15	REFCLKp0
REFCLKA-(VSPA-)	A12	B14	REFCLKn0
GND	A13	B13/A25	GND
PERp2	A14	A24	PERp2
PERn2	A15	A23	PERn2
GND	A16	A22/A28	GND
PERp3	A17	A27	PERp3
PERn3	A18	A26	PERn3
GND	A19	A25	GND
GND	B1	B19	GND
PETp0	B2	B18	PETp0
PETr0	B3	B17	PETr0
GND	B4	B16/B22	GND
PETp1	B5	B21	PETp1
PETr1	B6	B20	PETr1
GND	B7	B19	GND
BP_TYPEA(VSPA)	B8	A7	SMClk
CWAKEA#_DBFFA(VSPA)	B9	A8	SMDat
GND	B10	A9	SMBRST#
REFCLKA+(VSPA+)	B11	B10	ePerst0#
REFCLKA-(VSPA-)	B12	A11	PRSNT0#
GND	B13	A25	GND
PETp2	B14	B24	PETp2
PETr2	B15	B23	PETr2
GND	B16	B22/B28	GND
PETp3	B17	B27	PETp3
PETr3	B18	B26	PETr3
GND	B19	B25/B13	GND
		B9	Dual Port EN#
		B12	PWRDIS
		A11	PERST1#/CLKREQ#

SHORT 30AWG

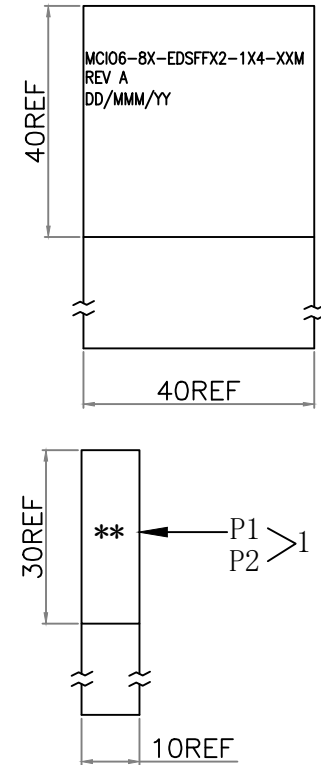
GND	A19	A19	GND
PERp4	A20	A18	PERp0
PERn4	A21	A17	PERn0
GND	A22	A16/A22	GND
PERp5	A23	A21	PERp1
PERn5	A24	A20	PERn1
GND	A25	A19/A16	GND
BP_TYPEA(VSPA)	A26	A15	REFCLKp1
CWAKEA#_DBFFA(VSPA)	A27	A14	REFCLKn1
GND	A28	A13/B16	GND
REFCLKA+(VSPA+)	A29	B15	REFCLKp0
REFCLKA-(VSPA-)	A30	B14	REFCLKn0
GND	A31	B13/A25	GND
PERp6	A32	A24	PERp2
PERn6	A33	A23	PERn2
GND	A34	A22/A28	GND
PERp7	A35	A27	PERp3
PERn7	A36	A26	PERn3
GND	A37	A25	GND
GND	B19	A24/B19	GND
PETp4	B20	B18	PETp0
PETr4	B21	B17	PETr0
GND	B22	B16/B22	GND
PETp5	B23	B21	PETp1
PETr5	B24	B20	PETr1
GND	B25	B19	GND
BP_TYPEA(VSPA)	B26	A7	SMClk
CWAKEA#_DBFFA(VSPA)	B27	A8	SMDat
GND	B28	A9	SMBRST#
REFCLKA+(VSPA+)	B29	B10	ePerst0#
REFCLKA-(VSPA-)	B30	A11	PRSNT0#
GND	B31	B25	GND
PETp6	B32	B24	PETp2
PETr6	B33	B23	PETr2
GND	B34	B22/B28	GND
PETp7	B35	B27	PETp3
PETr7	B36	B26	PETr3
GND	B37	B25/B13	GND
		B9	Dual Port EN#
		B12	PWRDIS
		A11	PERST1#/CLKREQ#

SHORT 30AWG

NOTE:B9,A12 PIN OF P1/P2 IS OPEN

P3/P4		P1/P2	
1,2,3	24AWG ORG	B11	3.3V
4,5,6	18AWG BLK	A1--A6	GND
10,11,12	30AWG BLK	A13	GND
13,14,15	18AWG YEL	B1--B6	12V

WIRE DIAGRAM



TITLE	MCI0x8 to 1C EDSFF 56P Receptacle Gen6 Cable					SHEET	2/2
CUSTOMER		CUSTOMER P/N	MCI06-8X-EDSFFX2-1X4-XXM	DRAWING	WangPan		
DWG NO.	WIPT20240426007	UNIT	SCALE	REV	VIEW	CHECKED	<i>lupeng</i>
TERMINAL P/N		mm	NONE	A		APPROVAL	