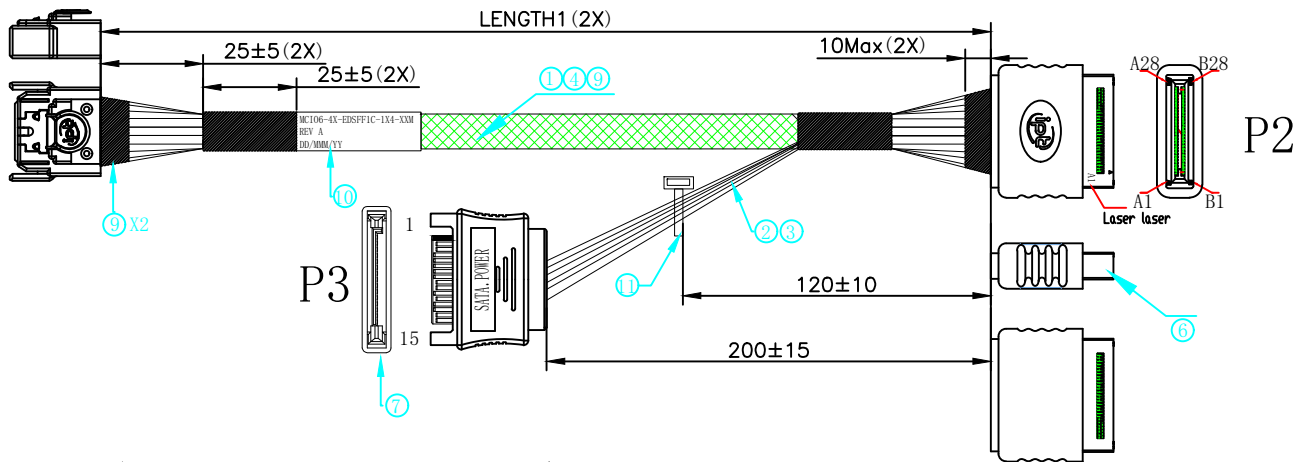
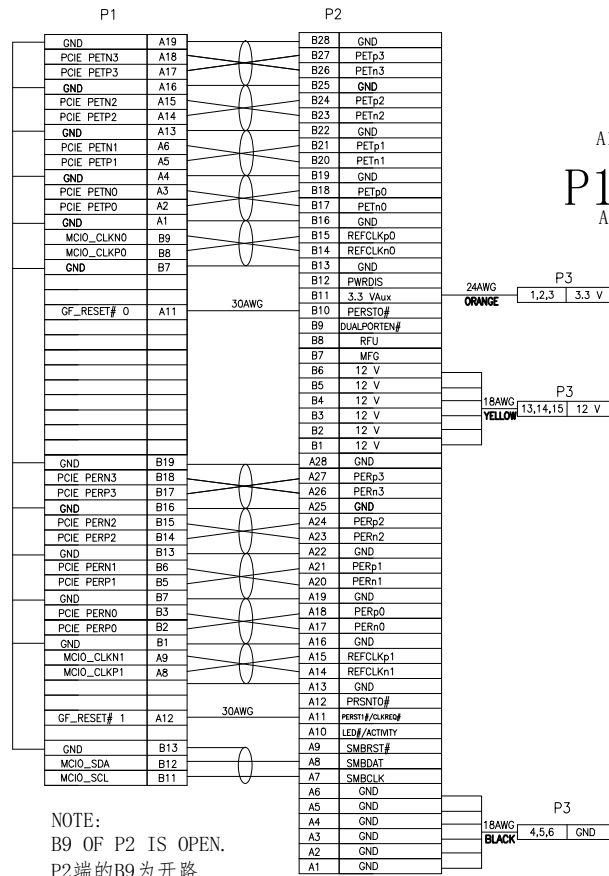
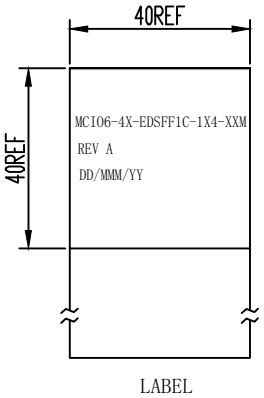


WIRE DIAGRAM



LENGTH P/N TABLE	
PART NUMBER	LENGTH1(MM)
MCI06-4X-EDSFF1C-1X4-0.5M	300±10
MCI06-4X-EDSFF1C-1X4-1M	500±10

TEST CONDITIONS:
 1. ELECTRICAL AND MECHANICAL PERFORMANCE SHOULD MEET THE **PCIE GEN6** INDUSTRIAL STANDARD.
 电气特性遵循**PCIE GEN6**工业标准。
 2. THE CABLE ASSEMBLY SHALL BE RoHS2.0 COMPLIANT.
 该产品通过RoHS2.0认证。
 3. THE CABLE ASSEMBLY SHALL MEET BELOW IMPEDANCE REQUIREMENT: TERMINATION AREA: 85±15%OHMS, CABLE ABSOLUTE AREA: 85±10% OHMS.
 该产品满足下面阻抗特性:接触区域85±15%欧姆,线材为85±10%欧姆。



⑪	CABLE TIE	CABLE TIE:2.5*120MM WHITE	1	PCS	
⑩	LABEL	WHITE LABEL: 40*40MM	1	PCS	
⑨	ACETATE TAPE	W=25MM ACETATE TAPE,BLACK	-	MM	
⑧	EXPANDO TUBE	W=12MM PLASTIC BRAID SLEEVE,PET,GREEN	-	MM	
⑦	CONN	SATA15P M PRS LCP BLK	1	PCS	
⑥	CONN	EDSFF 56PIN 1C	1	SET	
⑤	CONN	SFF-1016 MCI0-4X CONN	1	SET	
④	WIRE	UL1061 30AWG TS -LF-	-	MM	
③	WIRE	UL1007 24AWG TS -LF-	-	MM	
②	WIRE	UL1007 18AWG TS -LF-	-	MM	
①	CABLE	SAS CABLE:(29AWG*2C+2D)+HM,85Ω (S06S62901)	-	MM	
NO.	NAME	IPT NO.	DESCRIPTION	Q'TY	Q'TY

DATE	DESCRIPTION OF CHANGE	REV
2024-04-25	XXXXX	A

TITLE		MCI0-4X TO EDSFF 56PIN GEN6 CABLE				SHEET	1/1
CUSTOMER	CUSTOMER P/N	MCI06-4X-EDSFF1C-1X4-XXM	DRAWING	Jackyyan			
DWG NO.	WIPT20240425003	UNIT	SCALE	REV	VIEW	CHECKED	luipeng
IPT P/N	mm	NONE	A	APPROVAL			

